

ConteralP® Omni LX Remote Setup Megapixel Camera

20 or 32 Megapixel (MP) H.265/H.264 All-in-One Remote Setup Omni-Directional Remote-Configurable Multi-Sensor True Day/Night Indoor/Outdoor Dome IP Cameras with SNAPstream+™ (Smart Noise Adaptation and Processing), WDR (Wide Dynamic Range), NightView™, Analytics, and IR Models

H.265



Omni LX Remote Setup (RS)

Omni LX Remote Setup with IR (RSIR)

The ConteralP Omni LX Remote Setup (RS) is an industry-game-changing omni-directional, remote-configurable, multi-sensor, multi-megapixel camera built to provide outstanding high resolution video coverage for a wide range of applications. The unmatched coverage and capabilities of the ConteralP Omni LX RS provides organizations of all sizes the flexibility to deploy a surveillance camera system that truly matches their current and future requirements for complete situational awareness.

ConteralP Omni LX RS is available with a 20-megapixel (MP) or 20MP and 32MP resolution with IR. The number of cameras required for a project can be dramatically reduced with a single ConteralP Omni LX RS, thanks to its four customizable remote sensor gimbals. Installation is fast and easy. Connect the network cable, and then remotely configure the camera. Select a preset choice for 180°, 270°, or 360° views, or use the intuitive interface to remotely pan, tilt, zoom, and focus each sensor. Two custom presets created by the user can be saved to memory. The camera is integrated with the industry's leading VMS/NVR platforms.

All ConteralP Omni LX RS cameras now support on-camera analytics on all four sensors. Several behaviors are available with the included standard analytic package. For even more powerful behaviors, optional advanced analytics are available.

The ConteralP Omni LX RS is ideal for applications with challenging lighting conditions. For additional low light performance, IR models are also available. The Omni LX RS combines a day/night mechanical IR cut filter for the highest image quality at any time of day. For clear color images in low-light, NightView offers strong low-light sensitivity for capturing details in extremely poor-lit scenes. The Omni LX RS also offers our next generation H.265 with SNAPstream+™ (Smart Noise Adaptation and Processing) smart codec capable of delivering high quality video while saving over 50% of the data rate to reduce or prevent strain on the network. Power can be supplied via a single PoE+ (802.3at) compliant network cable or via an 24-48V DC/24V AC power supply for RS models, or PoE++ (802.3bt) compliant network cable or via an 24V DC/24V AC power supply for RSIR models.

ConteralP Omni LX RS is designed for demanding environments. Certified to rigorous dust and water tests, the camera carries an IP66 rating. The rugged dome housing is IK-10 rated for vandal-prone applications.

The ConteralP Omni LX RS is ONVIF (Open Network Video Interface Forum) Profile S, G, M, and T conformant, providing interoperability between network video products regardless of manufacturer.

Remote Setup with Motorized Pan, Tilt, and Zoom	SNAPstream+™ Technology	Omni-Directional Track with 4 Customizable Sensors	180°/270°/360° and Custom Presets	Advanced Video Analytics	Smart IR LEDs	Enhanced WDR™ Wide Dynamic Range	True Day/Night with IR Cut Filter	NightView™	Impact / Weather Resistant IK-10 and IP66 Rated	Tri-Encoder H.265/H.264/MJPEG

Series Features

- 20MP (4x 5MP Sensors) or 32MP (4x 8MP Sensors)
- On-Camera Analytics
- No Touch Setup: 4 Individual Camera Gimbals Each with a Varifocal Motorized Lens That Can be Remotely Setup in Any Position Around a 360° Track
- Preset Positions to Create a 360°, 270°, or 180° Field of View, or Save Custom Presets
- SNAPstream+ Advanced Compression Algorithm Reduces Bandwidth without Impacting Image Quality
- Triple Encoder: H.265/H.264/MJPEG
- NightView for Strong Low Light Performance and Integrated IR (RSIR Models)
- True Day/Night Functionality with Mechanical IR Cut Filter
- Enhanced WDR up to 120dB at Full Resolution: See Clearly in Shaded and Bright Light Conditions Simultaneously
- On-Screen Display (OSD)
- Privacy Mask, Motion Detection, Bit Rate Control, Multi-Streaming, and Multicasting
- Network Protocols Include SNMP, HTTPS, IPv6, DHCP, 802.1x, and More
- All-in-One H.265/H.264 Total PoE+/PoE++ Solution or Auxiliary Power: 24V-48V DC/24V AC (RS Models)/ 24V DC/24V AC (RSIR Models)
- Audio In / Out
- 1TB Capacity MicroSDXC Card Slot(s) for Onboard Storage
- Outdoor Rated IP66 and IK-10 Impact-Resistant Housing
- NDAA and TAA Compliant

Camera Imaging Specifications

Model		AV20576RS	AV20576RSIR	AV32576RSIR
Image Sensor (CMOS)		20MP (5MP x 4) CMOS Progressive Sensor	20MP (5MP x 4) CMOS Progressive Sensor	32MP (8MP x 4) CMOS Progressive Sensor
Optical Format		1/2.8"	1/2.8"	1/1.8"
Pixel Pitch		2.0µm	2.0µm	2.0µm
Minimum Illumination	Color (Day Mode)	0.15 Lux	0.15 Lux	0.15 Lux
	B/W (Night Mode)	0.15 Lux	0.15 Lux	0.15 Lux
Full FOV Resolution	Total	10368 H x 1944 V	10368 H x 1944 V	15360 H x 2160 V
	Per Sensor	2592 H x 1944 V	2592 H x 1944 V	3840 H x 2160 V
IR Illumination		No	Yes	Yes
Dynamic Range		DOL WDR 120db	DOL WDR 120db	DOL WDR 120db
Frame Rates ¹	At Max Resolution	30fps (20MP)	30fps (20MP)	30fps (32MP)
	Multi-Stream	Up to 30fps (20MP) + 30fps (20MP) + 30fps (1.2MP) Enhanced WDR on	Up to 30fps (20MP) + 30fps (20MP) + 30fps (1.2MP) Enhanced WDR on	Up to 30fps (32MP) + 30fps (8MP) + 30fps (0.9MP) Enhanced WDR on
Lens (x4)		3.3–6.6mm, F1.8, H-FOV = 42°–96°	2.7–13.5mm, F1.4, H-FOV = 30°–101°	4–10mm, F1.4, H-FOV = 45°–110°

Programmability

Optics	Remote focus / zoom	
Low-Light Performance	NightView™ technology	
Programmable Shutter Speed	Auto/manual 0.1ms ~ 500ms	
Motion Detection	Real-time, 1024 detection zones	
Privacy Masking	Unlimited	
Backlight Compensation	Auto	
White Balance Mode	Auto/manual	
Gain Control	Auto	
Flicker Control	5Hz–255Hz adjustable	
Image Rotation	180°	
Scaling <i>(Per Sensor)</i>	20MP	2592x1944, 2560x1440, 2304x1296, 2048x1536, 1920x1080, 1600x1200, 1296x972, 1280x960, 1280x720, 800x600, 640x480
	32MP	3840x2160, 2592x1944, 2560x1440, 2304x1296, 2048x1536, 1920x1080, 1600x1200, 1296x972, 1280x960, 1280x720, 800x600, 640x480, 640x360
Wide Dynamic Range	Adjustment between WDR and LDR modes	
Efficiency	SNAPstream+ (Smart Noise Adaptation and Processing)	
	Bit rate and bandwidth limitation control	
Miscellaneous	Programmable brightness, contrast, sharpness, saturation, hue	
Password	16-digit ASCII character password	
On-Screen Display (OSD)	Time/date/camera name/custom text	
Standard Video Analytics ²	Motion Detection	
	Camera Tamper	
	Intrusion Detection	
	Line Crossing	
	Loitering	
Optional Advanced Video Analytics ²	Object Classification (Person/Vehicle) ³	
	Object Left/Removed ³	
	People/Vehicle Counting ³	
Included Accessories	RS	Power Cable, Alarm Cable
	RSIR	Cap, Power Cable, Alarm Cable, 2x Audio Cables (In/Out)

¹ Maximum with H.264 compression

² Analytics are not designed for heavy traffic locations such as roads and intersections

³ Requires Optional Advanced Video Analytic License

Data Transmission

Compression Type	H.265/H.264 (MPEG-4, Part 10)/Motion JPEG
	21 levels of quality
Bit Rate Control	128K–8000K
Smart Codec	Smart GOP
Network Protocols	SNMP, HTTP, HTTPS, IPv6, IPv4, SSL, TCP/IP, UPnP, UDP, RTCP, RTSP, RTP, SMTP, NTP, DHCP, FTP, 802.1x, Zero Configure
Network Interface	10/100/1000Mbps Ethernet, RJ45
Max Camera Bandwidth	40Mbps (10Mbps per sensor)
Multi-Streaming	2 x H.265/H.264 stream, 1 x M-JPEG stream (per sensor)
Users	Live Viewing/Administrator for up to 10 clients

Compliance

Industry Standard	ONVIF Profile S, G, M, and T conformant
Listings	UL62368-1 & CAN/CSA-C22.2 No.62368-1, E489591
FCC Compliance	47 CFR 15 Class A
Environmental	RoHS, REACH, WEEE
Markings	CE: EN55032 Class A, EN55035, EN61000-3-2, EN61000-3-3, EN60950, IEC 62471
Mechanical	IK-10 (EN62262), IP66 (EN60529)

Event Management

Event Trigger	Motion detection, tampering detection, alarm in
Notifications	Send/record message via e-mail/FTP/NAS, record JPG/mp4

Electrical

Alarm Input/Output	1 input (wet contact)/1 output (wet contact)	
Power Over Ethernet	RS	IEEE 802.3at (PoE+), Class 4
	RSIR	IEEE 802.3bt (PoE++), Class 5
Auxiliary Power	RS	24-48V DC, 24V AC
	RSIR	24V DC, 24V AC
Power Consumption	RS	25.5W max
	RSIR	40W max

Audio Electrical

Streaming	Two-way
Compression	G.711 PCM 8 kHz/8 bit
Input/Output	Line in (requires amplification) / Line output

IR Illuminator (RSIR Models Only)

LEDs	6 pcs 850nm LEDs
Projection Distance	98.4ft (30m) IR distance (max) / 360° IR angle

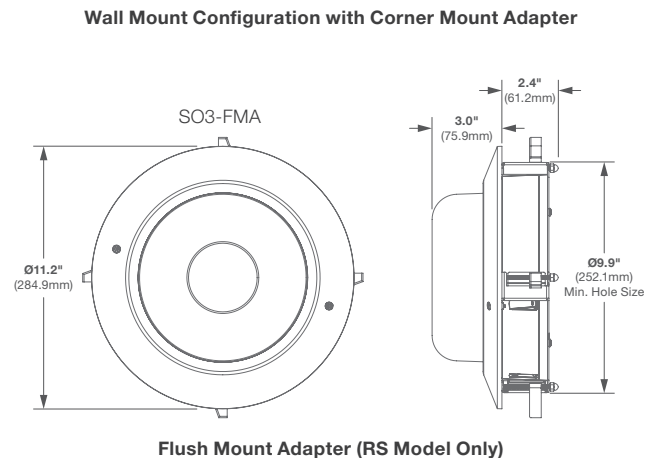
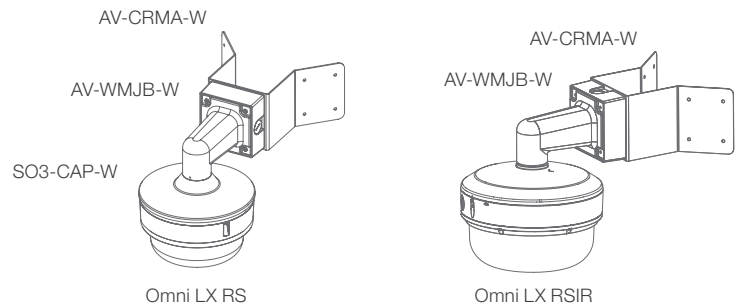
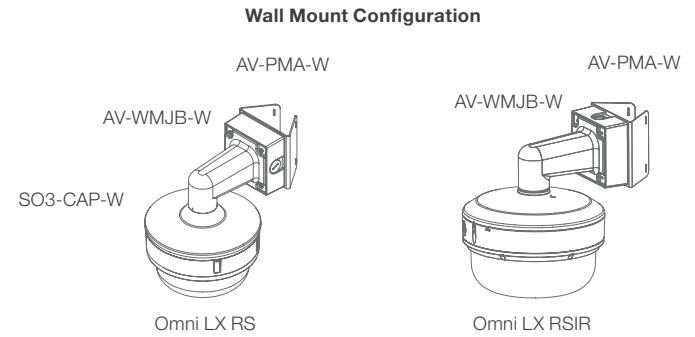
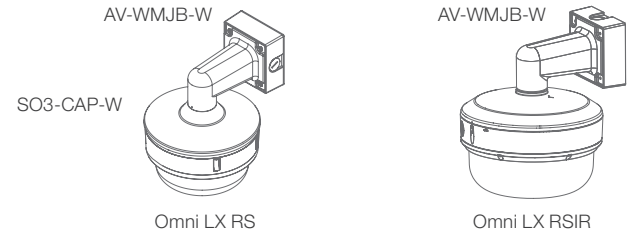
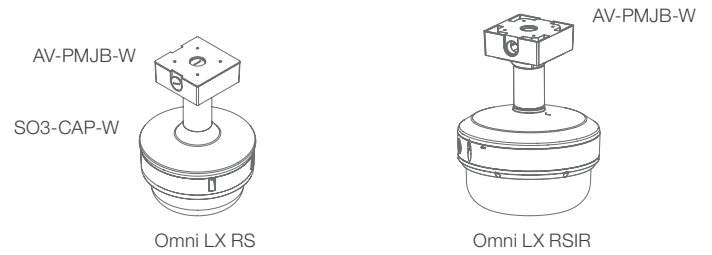
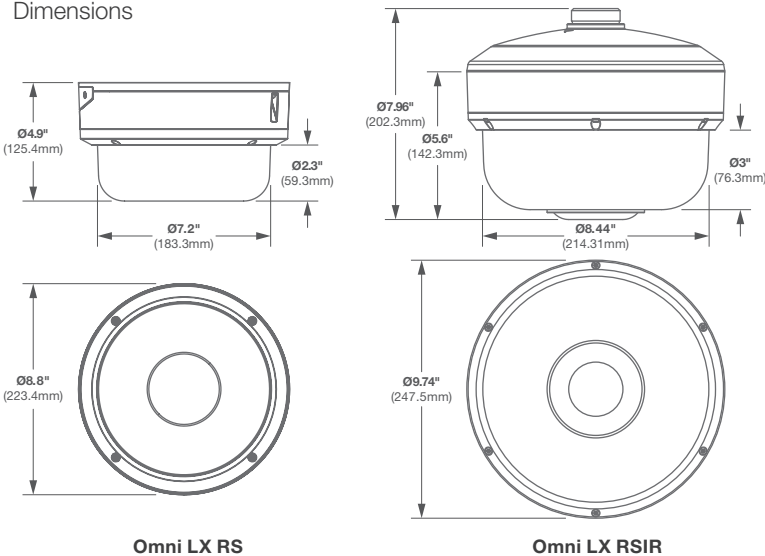
Environmental

Operating Temperature	-40°C (-40°F) to +50°C (122°F)
Humidity	0% to 90% (non-condensing)
Storage Temperature	-40°C (-40°F) to +60°C (140°F)

Mechanical

Casing	Die-cast aluminum chassis with polycarbonate dome bubble		
	IP66 weather proof standard		
	Impact resistant, IK-10 rated		
Gimbal	RS	Remotely adjustable, 3-axis w/360° pan, 135° tilt	
	RSIR	Remotely adjustable, 3-axis w/360° pan, 90° tilt	
Dimensions <i>(See Dimensions)</i>	RS	Unit	Ø 8.8" (223.4mm) x 4.9" H (125.4mm)
		Bubble Only	Ø 7.2" (183.3mm) x 2.3" H (59.3mm)
		Packaged	11.1" W (281mm) x 11.1" L (281mm) x 7.4" H (188mm)
	RSIR	Unit	Ø 9.72" (247mm) x 7.95" H (202mm)
		Bubble Only	Ø 8.44" (214.31mm) x 3" H (76.3mm)
		Packaged	28.54" W (725mm) x 14.57" L (370mm) x 12.99" H (330mm)
Weight	RS	Unit	5.2lbs (2.36kg)
		Packaged	5.9lbs (2.68kg)
	RSIR	Unit	7.55lbs (3.43kg)
		Packaged	10.09lbs (4.58kg)
On Board Storage	RS	MicroSDXC slot up to 1TB (card not included)	
	RSIR	2 x MicroSDXC slot up to 1TB (card not included)	
Body Color	Arecont Vision® White (Pantone® Cool Gray 1C)		

Dimensions



See Next Page for Ordering Information

ConteraIP® Omni LX Remote Setup Megapixel Cameras Ordering Information



Configurations



Omni LX Remote Setup



Omni LX Remote Setup with IR



Omni LX Remote Setup with IR with RJ45 Quick Disconnect Factory Assembled

Model Numbers

20MP	AV20576RS	WDR
	AV20576RSIR	WDR
	AV20576RS-QDRJ45 with RJ45 Quick Disconnect Factory Assembled	WDR
	AV20576RSIR-QDRJ45 with RJ45 Quick Disconnect Factory Assembled	WDR
32MP	AV32576RSIR	WDR
	AV32576RSIR-QDRJ45 with RJ45 Quick Disconnect Factory Assembled	WDR

Optional Advanced Video Analytics Licenses

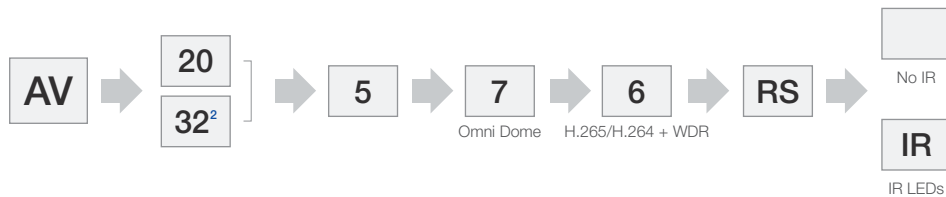
C-SEC-ADV-4	ConteraIP Advanced Security Analytics 4 Channel License
--------------------	---

Accessories (Sold Separately)

AV-1AK¹	ConteraIP® Optional Audio Kit
AV-CRMA-W	Corner Mount Adapter (Arecont Vision® White)
AV-JBA-W	Standard Junction Box (Arecont Vision® White)
AV-PMA-W	Pole Mount Adapter (Arecont Vision® White)
AV-PMJB-W	Pendant Mount Bracket with Standard Junction Box (Arecont Vision® White) (Fits Cap 1.5" NPT, Box Fits 3/4" NPT)
AV-WMJB-W	Wall Mount Bracket with Standard Junction Box (Arecont Vision® White) (Fits Cap 1.5" NPT, Box Fits 3/4" NPT)
SO3-CAP-W¹	Cap for ConteraIP® Omni LX RS (Arecont Vision® White)
SO3-FMA¹	Flush Mount Adapter for ConteraIP® Omni LX RS (Arecont Vision® White)
7412007-006	PoE++ Injector (IEEE 802.11bt, Class 7)
8188365002	1.5" NPT Quick Disconnect
8188365002-RJ45-IP67	1.5 inch NPT Quick Disconnect with RJ45 Female IP66 Connector

Create Your Model (Example: AV32576RSIR)

Megapixel Resolution Generation Body Type Compression Remote Setup Infrared



¹ RS Model Only

² RSIR Models Only



+1.818.937.0700 | www.avcostar.com | avsales@arecontvision.com

© 2023 Arecont Vision Costar, LLC. All rights reserved. Arecont Vision, Contera, and ConteraIP are registered trademarks of the company. AV Costar, the AV Costar logo, NightView, SNAPstream and SNAPstream+ are business use trademarks of the company.

Rev 002.007

